

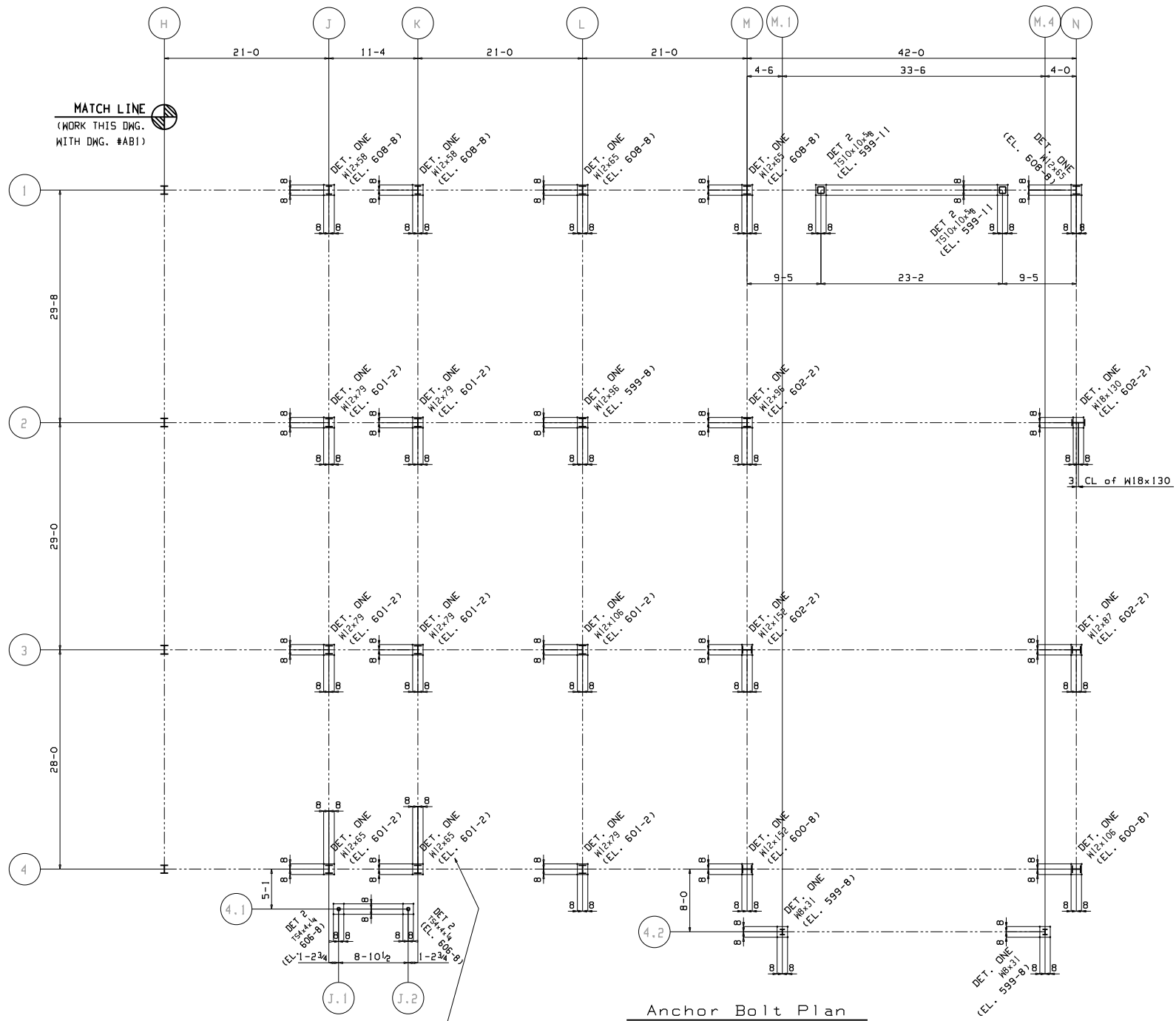
**MATCH LINE**  
 (WORK THIS DNG.  
 WITH DNG. #AB2)

**Anchor Bolt Plan**

(Datum/Finished Floor EL. = 602-6)  
 (See Plan & Details for Orientation, & Elevations)  
 (Work This Drawing with Drawings AB2, & AB3)

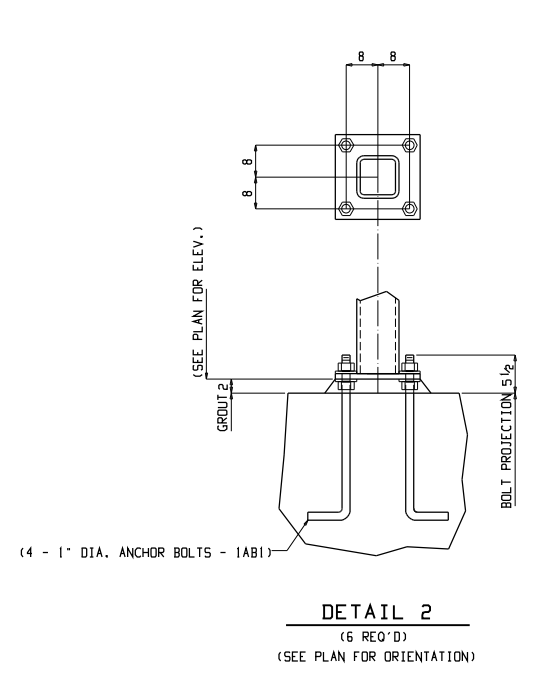
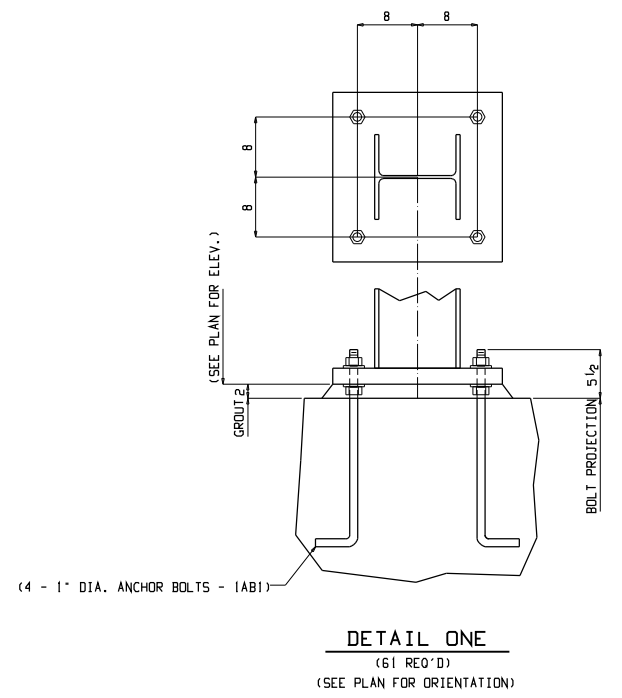
Bottom of Base Plate Elevation noted thus:

COMPUTERLINE STEEL DETAILING, Inc. Greybull, Wyoming			
PROJECT	Sample		
LOCATION	Sample		
CUSTOMER	Sample		
DESIGNER	Sample		
DRAWN BY	CHK. BY	SHEET NO.	AB1
23 May 2002	REVISED	JOB#	Sample



Bottom of Base Plate Elevation noted thus:

**Anchor Bolt Plan**  
 (Datum/Finished Floor EL. = 602-6)  
 (See Plan & Details for Orientation, & Elevations)  
 (Work This Drawing with Drawings AB1, & AB3)



COMPUTERLINE STEEL DETAILING, Inc. Greybull, Wyoming		
PROJECT	Sample	
LOCATION	Sample	
CUSTOMER	Sample	
DESIGNER	Sample	
DRAWN BY	CHK. BY	SHEET NO.
Sample	Sample	AB2
DATE DRAWN	REVISED	JOB#
23 May 2002		Sample